

HITACHI

ELLE system

# SuperEX EX200

Rated engine HP: 99 kW (135 PS)

Operating weight

EX200-2: 18 500 kg (40 800 lb)

EX200LC-2: 19 700 kg (43 400 lb)

Bucket capacity

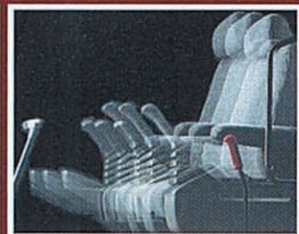
PCSA heaped: 0.51—1.20 m<sup>3</sup> (0.67—1.57 cu yd)

CECE heaped: 0.45—1.00 m<sup>3</sup>



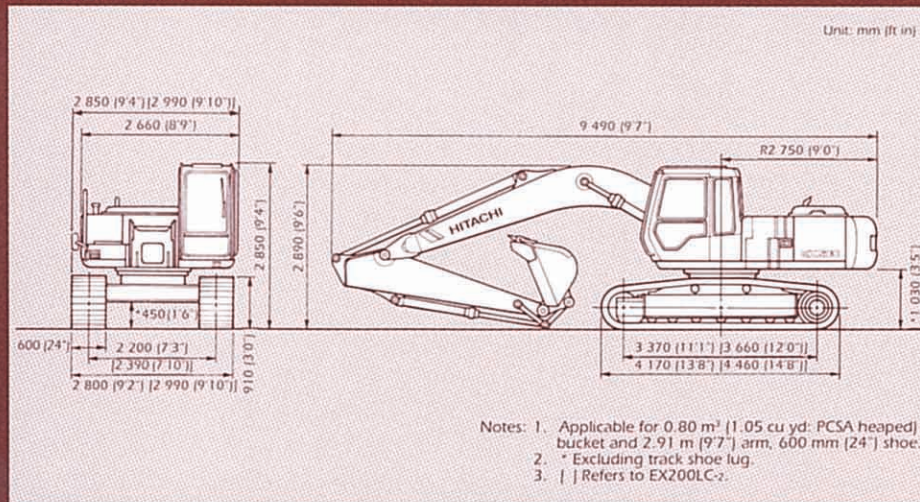
HITACHI — A NEW ERA  
IN INNOVATIVE  
TECHNOLOGY

- ELLE: Electronic Load-Sensing Excavation System. Hitachi's advanced technology ensures maximum job efficiency.
- Exceptional controllability: Operating lever feeling is always the same regardless of the intensity of the operation.
- Operator comfort: Provided by adjustable Sliding Cockpit; ergonomic Lever Grips; easy-to-use Monitor & Switches and Low Noise & Vibration Cab.

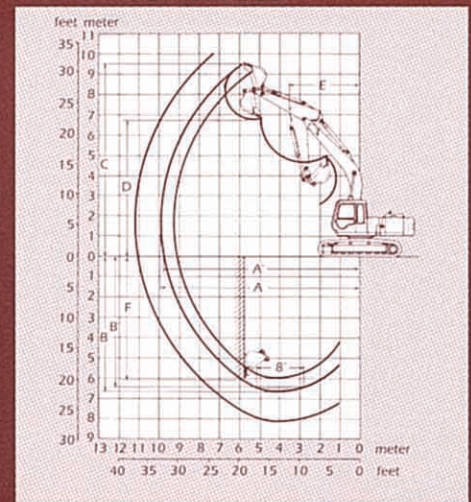


# Amazing Potential... Specifications Tell It All.

## DIMENSIONS



## WORKING RANGES



## SPECIFICATIONS

Model		EX200-2	EX200LC-2
kg (lb)		18 500 (40 800)	19 700 (43 400)
Making/Model		Isuzu 6BD1T	
Engine	DIN rated kW (PS) @ min <sup>-1</sup>	99 (135) @ 2 050	
	SAE rated kW (HP) @ min <sup>-1</sup>	98 (132) @ 2 050	
	liter (US gal, Imp gal)	310 (81.9, 68.2)	
Hydraulics	Main pumps	2 x variable piston	
	MPa (kgf/cm <sup>2</sup> , psi)	34.3 (350, 4 980)	
	Max. l/min (US gpm, Imp gpm)	2 x 185 (48.9, 40.7)	
	min <sup>-1</sup> (rpm)	11.0 (11.0)	
Undercarriage	A km/h (mph)	5.5 - 3.5 - 2.5 (3.4 - 2.2 - 1.6)	
	B kN (kgf, lbf)	159.9 (16 300, 35 900)	
	C deg. (%)	35 (70)	
	D mm (in)	G600 (24")	G800 (31")
Arm length m (ft in)	E kPa (kgf/cm <sup>2</sup> , psi)	41.2 (0.42, 5.97)	30.4 (0.31, 4.41)
	F kN (kgf, lbf)	113.8 (11 600, 25 600)	89.2 (9 100, 20 100)
	G kN (kgf, lbf)	112.9 (11 500, 25 400)	

\* 2.91 (9'7") arm + 1.50 m (4'11") extension arm.

## STANDARD EQUIPMENT

- Tool kit ● Suspension seat ● Heater ● Auto-tuning radio with digital clock
- Intermittent windshield wiper with window washer ● Cigarette lighter ● Ashtray
- 3 working lights and 1 cab light ● Electric double horn ● Rearview mirror
- Rear tray ● Parcel pocket ● Power boost device

## OPTIONAL EQUIPMENT

- Air conditioner ● Multi selection lever with rotary valve ● Hose rupture valves
- Electric refilling pump ● Swing motion alarm device with lamps ● Travel motion alarm device
- Additional pump ● Piping kit for extra port ● PTO valve & additional valve with piping kit

## OTHER ATTACHMENT

- Long-range front type 15

## WORKING RANGES

		Unit: mm (ft/in)		
Boom		5.68 m (18'8")		
Arm		2.22 m (7'3")	2.91 m (9'7")	4.41 m (14'6")*
A.		9 250 (30'4")	9 910 (32'6")	11 260 (36'11")
A'		9 080 (29'9")	9 750 (32'0")	11 130 (36'6")
B.		5 980 (19'7")	6 670 (21'11")	8 170 (26'10")
B'		5 740 (18'10")	6 490 (21'4")	7 990 (26'3")
C.		9 170 (30'1")	9 600 (31'6")	10 220 (33'6")
D.		6 390 (21'0")	6 780 (22'3")	7 410 (24'4")
E.		3 530 (11'7")	3 540 (11'7")	3 540 (11'7")
F.		5 140 (16'10")	6 050 (19'10")	7 550 (24'9")

Notes: Excluding track shoe lug.  
\* 2.91 m (9'7") arm + 1.50 m (4'11") extension arm.

## BACKHOE BUCKETS

Capacity	Recommendation		
	2.22 m (7'3") arm	2.91 m (9'7") arm	4.41 m <sup>*</sup> (14'6") arm
PCSA heaped			
CECE heaped			
0.51 m <sup>3</sup> (0.67 cu yd)	○	○	○
0.80 m <sup>3</sup> (1.05 cu yd)	○	○	—
0.91 m <sup>3</sup> (1.19 cu yd)	○	○ (○)	—
1.10 m <sup>3</sup> (1.44 cu yd)	○	— (○)	—
1.20 m <sup>3</sup> (1.57 cu yd)	□	—	—
*2 0.80 m <sup>3</sup> (1.05 cu yd)	○	○	—
Ripper bucket: 0.50 m <sup>3</sup> (0.65 cu yd: CECE heaped), Width 800 mm (31")	●	—	—
One-point ripper	●	—	—
Clamshell bucket: 0.60 m <sup>3</sup> (0.78 cu yd: CECE heaped), Width 940 mm (37")	○	○	—
Slope-finishing blade: Width 1 100 mm (43"), Length 2 200 mm (87")	◇	◇	—

- \*1 2.91 (9'7") arm + 1.50 m (4'11") extension arm. ( ) Refers to EX200LC-2.  
\*2 Reinforced bucket
- Suitable for materials with density of 2 000 kg/m<sup>3</sup> (3 370 lb/cu yd) or less
  - Suitable for materials with density of 1 600 kg/m<sup>3</sup> (2 700 lb/cu yd) or less
  - Suitable for materials with density of 1 100 kg/m<sup>3</sup> (1 850 lb/cu yd) or less
  - Heavy-duty service ◇ Slope finishing service — Not recommended

## Hitachi Construction Machinery Co., Ltd.

Head Office: Nippon Bldg., 6-2, 2-chome, Ohtemachi, Chiyoda-ku, Tokyo 100, Japan

Telephone: Tokyo (03) 3245-6377

Facsimile: Tokyo (03) 3246-2609

Telex: J 32539 HITACONJ

Cable Address: "TOKHITACHIENKI"

KS-E076

These specifications are subject to change without notice. Illustrations may or may not include optional equipment and accessories, and all standard equipment.