

HITACHI

ELLE system

SuperEX EX120

Rated engine HP: 63 kW (85 PS)

Operating weight: 11 800 kg (26 000 lb)

Bucket capacity

PCSA heaped: 0.19—0.66 m³ (0.25—0.86 cu yd)

CECE heaped: 0.17—0.55 m³



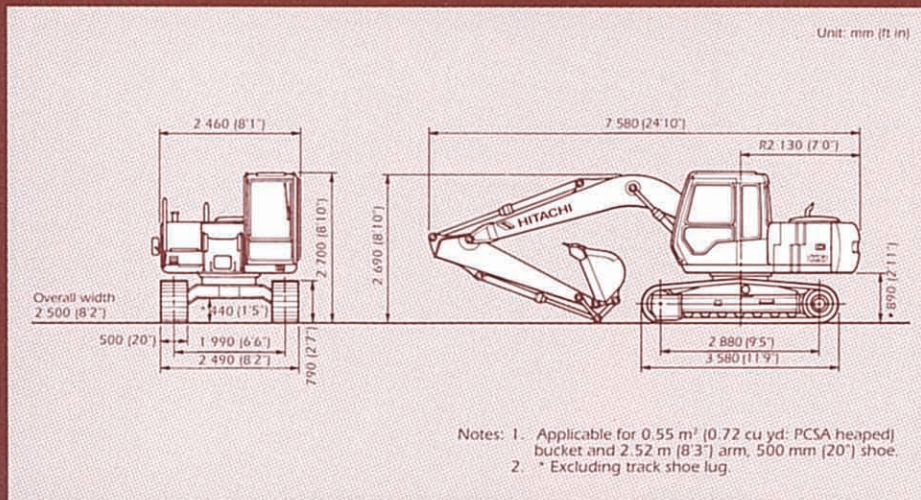
HITACHI — A NEW ERA
IN INNOVATIVE
TECHNOLOGY

- ELLE: Electronic Load-Sensing Excavation System. Hitachi's advanced technology ensures maximum job efficiency.
- Exceptional controllability: Operating lever feeling is always the same regardless of the intensity of the operation.
- Operator comfort: Provided by adjustable Sliding Cockpit; ergonomic Lever Grips; easy-to-use Monitor & Switches and Low Noise & Vibration Cab.

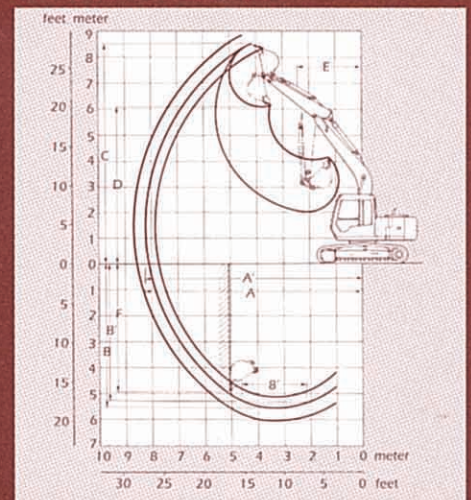


Amazing Potential... Specifications Tell It All.

DIMENSIONS



WORKING RANGES



SPECIFICATIONS

Model		EX120-2		
	kg (lb)	11 800 (26 000)		
	Making/Model	Isuzu 4BD1T		
	DIN rated kW (PS) @ min ⁻¹	63 (85) @ 2 200		
	SAE rated kW (HP) @ min ⁻¹	60 (81) @ 2 200		
	liter (US gal, Imp gal)	250.0 (66.0, 55.0)		
	Main pump	1 x variable piston		
	MPa (kgf/cm ² , psi)	34.3 (350, 4 980)		
	Max. l/min (US gpm, Imp gpm)	1 x 198 (52.3, 43.6)		
	min ⁻¹ (rpm)	11.0 (11.0)		
	A km/h (mph)	5.5 - 3.4 - 2.5 (3.4 - 2.1 - 1.6)		
	B kN (kgf, lbf)	94.1 (9 600, 21 200)		
	C deg. (%)	35 (70)		
	D mm (in)	G500 (20")		
	E kPa (kgf/cm ² , psi)	37.3 (0.38, 5.40)		
	Arm length m (ft in)	2.10 (6'11")	2.52 (8'3")	3.01 (9'11")
	F kN (kgf, lbf)	64.7 (6 600, 14 600)	57.9 (5 900, 13 000)	52.0 (5 300, 11 700)
	G kN (kgf, lbf)	78.5 (8 000, 17 600)		

STANDARD EQUIPMENT

- Tool kit ● Suspension seat ● Heater ● Auto-tuning radio with digital clock
- Intermittent windshield wiper with window washer ● Cigarette lighter ● Ashtray
- 3 working lights and 1 cab light ● Electric double horn ● Rearview mirror
- Rear tray ● Parcel pocket

OPTIONAL EQUIPMENT

- Air conditioner ● Multi selection lever with rotary valve ● Hose rupture valves
- Electric refilling pump ● Swing motion alarm device with lamps ● Travel motion alarm device
- Additional pump ● Piping kit for extra port ● PTO valve & additional valve with piping kit

OTHER ATTACHMENTS

- 500 mm (20") rubber crawler

WORKING RANGES

Unit: mm (ft in)

Boom	4.60 m (15'1")		
Arm	2.10 m (6'11")	2.52 m (8'3")	3.01 m (9'11")
A.	7 900 (25'11")	8 270 (27'2")	8 740 (28'8")
A'	7 770 (25'6")	8 140 (26'8")	8 610 (28'3")
B.	5 150 (16'11")	5 570 (18'3")	6 060 (19'11")
B'	4 920 (16'2")	5 360 (17'7")	5 880 (19'3")
C.	8 330 (27'4")	8 520 (27'11")	8 840 (29'0")
D.	5 920 (19'5")	6 120 (20'1")	6 440 (21'2")
E.	2 370 (7'9")	2 390 (7'10")	2 620 (8'7")
F.	4 640 (15'3")	4 980 (16'4")	5 450 (17'11")

Note: Excluding track shoe lug.

BACKHOE BUCKETS

Capacity	Recommendation		
	PCSA heaped	CECE heaped	
0.19 m ³ (0.25 cu yd)	0.17 m ³	○	○
0.30 m ³ (0.39 cu yd)	0.25 m ³	○	○
0.40 m ³ (0.52 cu yd)	0.33 m ³	○	○
0.46 m ³ (0.60 cu yd)	0.40 m ³	○	○
0.55 m ³ (0.72 cu yd)	0.45 m ³	○	*1 ○
0.59 m ³ (0.77 cu yd)	0.50 m ³	○	—
0.66 m ³ (0.86 cu yd)	0.55 m ³	□	—
*2 0.55 m ³ (0.72 cu yd)	0.45 m ³	○	*1 ○
One-point ripper		●	—
Clamshell bucket: 0.30 m ³ (0.39 cu yd; CECE heaped), Width 560 mm (22")		○	—
Slope-finishing blade: Width 1 000 mm (39"), Length 1 600 mm (63")		◇	◇

*1 With 700 mm (28") shoe only

*2 Reinforced bucket

- Suitable for materials with density of 2 000 kg/m³ (3 370 lb/cu yd) or less
- Suitable for materials with density of 1 600 kg/m³ (2 700 lb/cu yd) or less
- Suitable for materials with density of 1 100 kg/m³ (1 850 lb/cu yd) or less
- Heavy-duty service ◇ Slope finishing service — Not recommended

These specifications are subject to change without notice. Illustrations may or may not include optional equipment and accessories, and all standard equipment.

Hitachi Construction Machinery Co., Ltd.

Head Office: Nippon Bldg., 6-2, 2-chome, Ohtemachi, Chiyoda-ku, Tokyo 100, Japan

Telephone: Tokyo (03) 3245-6377

Facsimile: Tokyo (03) 3246-2609

Telex: J 32539 HITACONJ

Cable Address: "TOKHITACHIKENKI"